



Enriching Lives

CAST STEEL GATE VALVES

AS PER API : 600



KIRLOSKAR BROTHERS LIMITED
A Kirloskar Group Company

CAST STEEL GATE VALVES

Widely accepted by Water supply authorities, National Thermal Power Corporation, Nuclear Power Corporation and Industrial users. Designed as per latest edition of API : 600 specifications.

Application

- Widely used for handling Naphtha and Naphtha derivatives in Oil Refineries, Petroleum and Chemical Industries.
- Also these valves can be used for handling water, steam, air, gas or liquid with high pressure / temperature applications.
- Intended to be used either fully open or fully closed condition.

Salient Constructional features:

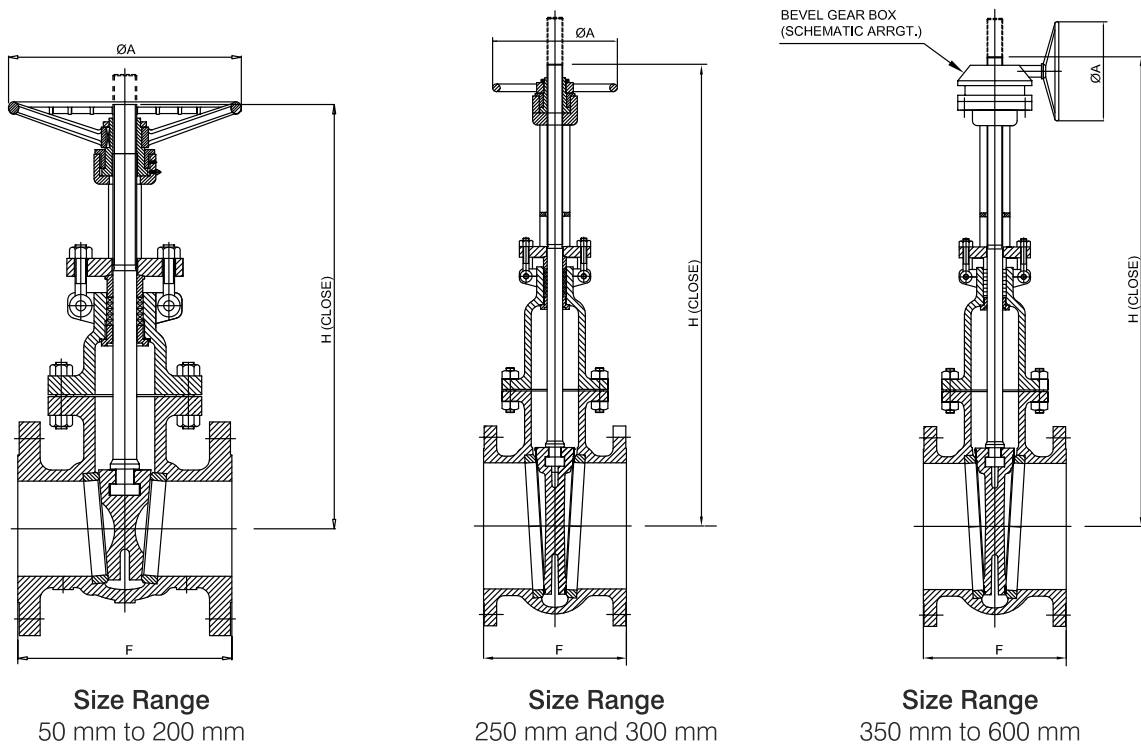
- **Body:**
 - Valve body is designed to provide maximum stream line flow to minimize pressure drop as well as corrosive and erosive effects.
 - Adequate wall thickness and sturdiness to avoid distortion caused by fluid pressure under operating conditions and also to withstand undue stresses on any working parts.
 - Body is strong enough to withstand specified conditions of pressure and temperature.
- **Bonnet**
 - Bonnet is designed in the form of circular or rectangular sections as per the requirements of API 600 standard.
 - The valve body and bonnet flanged joint is fastened by adequate number of studs and nuts. Bonnets are equipped with gasket which ensures a perfect sealing.
 - Bonnets are designed to withstand same pressure as that of body.
- **Stem**
 - Stem is outside screw, rising type with trapezoidal threads for smoother operation.
 - The stem collar is formed by forging from wrought material to ensure trouble free operation.
 - Stem is machined to high finish, with accurately cut threads, minimizing packing friction and operating torque.
 - Stem is provided with conical back seat surface to seat against bonnet back seat surface for re-packing of valve with the valve full open position.
- **Back Seat Bush**
 - Bush is screwed on the bonnet. It has conical seating surface to meet corresponding seating surface of stem.
- **Wedge**
 - Gate valves are provided with flexi gate wedge tapered on both sides, provided with deep groove inside lugs
 - All the wedges are furnished with proper guides, reducing unnecessary wear on seating surfaces due to the movement of wedge.
 - The seating surfaces of the wedge are precisely machined to achieve mirror finish.
- **Body Seat Ring**
 - Body seat rings are screwed / welded to the body. The faces of rings are precisely machined to achieve mirror finish.
- **Gasket**
 - Gasket is selected to match its suitability for handling particular fluid under specified conditions.
- **Handwheel**
 - Sturdy, specially designed for firm grip.

Material Of Construction

Scope	Body, Bonnet	Body (Seat) Ring	Spindle/ Back seat Bush	Wedge	Hand Wheel	Body / Bonnet Fasteners	Gasket
Standard	CS ASTM A 216 Gr.WCB	CS ASTM A515 Gr.70 +13%Cr. H.F.	SS AISI 410	CS ASTM A 216 Gr.WCB +13%Cr. H.F.	SG IRON	ASTM A 193 Gr.B7 / A194 Gr.2H	Spiral wound SS 304 + Graphoil
Optional	SS ASTM A 351 Gr.CF8/ Gr.CF8M	SS ASTM A 351 Gr.CF8 / Gr.CF8M (Intergral)	SS AISI 304 / SS AISI 316	SS ASTM A351 Gr. CF8 / CF8M	CS ASTM A 216 Gr.WCB/ CARBON STEEL		Spiral wound SS 316 + Graphoil

Note : 1. For special material of construction ,Contact Design Office
2. H.F. : Hard Face.

General Outline Drawing Class 150



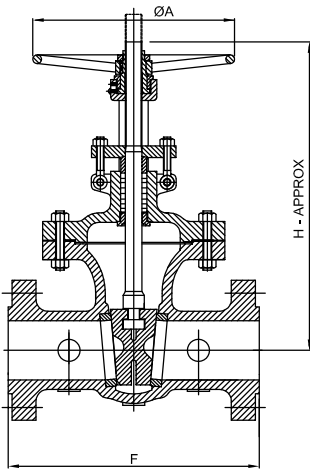
General Outline Dimensions Class 150

Valve Size	50	65	80	100	125	150	200	250	300	350	400	450	500	550	600
F	178	190	203	229	254	267	292	330	356	381	406	432	457	508	508
H Approx	325	376	395	435	582	612	772	940	1030	1335	1520	1625	1780	1986	2100
ØA	200	200	250	250	300	300	350	400	450	•	•	•	•	•	•

Note: 1. All Dimensions are in 'mm' otherwise stated.
2. Depend on Make and Model of Gear Box.
3. Please contact Design office for higher valve sizes.

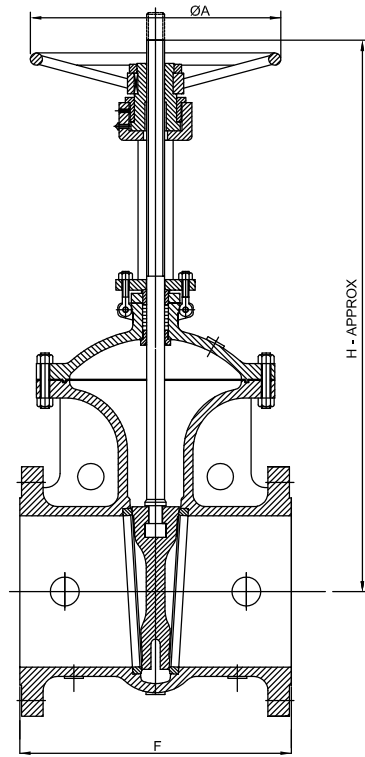
General Outline Drawing

Class 300



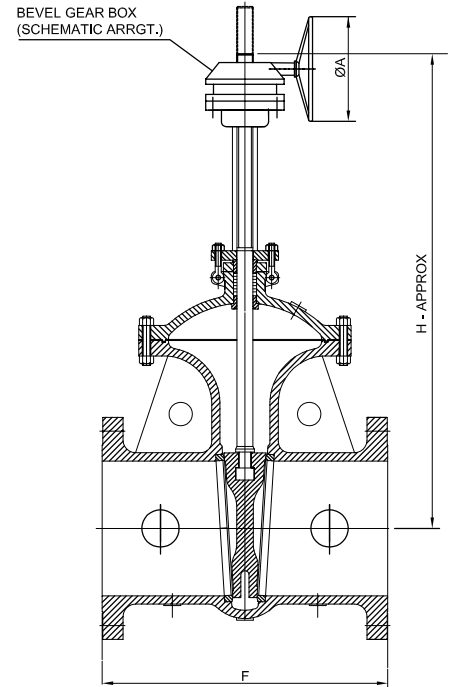
Size Range

50 to 125 mm (W13XD23XH3)



Size Range

150 to 250 mm



Size Range

300 mm to 600 mm

General Outline Dimensions

Class 300

Valve Size	50	65	80	100	125	150	200	250	300	350	400	450	500	600
F	216	241	282	305	381	403	419	457	502	762	838	914	991	1143
H Approx	373	390	400	485	670	705	880	960	1150	1325	1550	1685	1680	2070
ØA	200	250	250	250	300	300	450	500	•	•	•	•	•	•

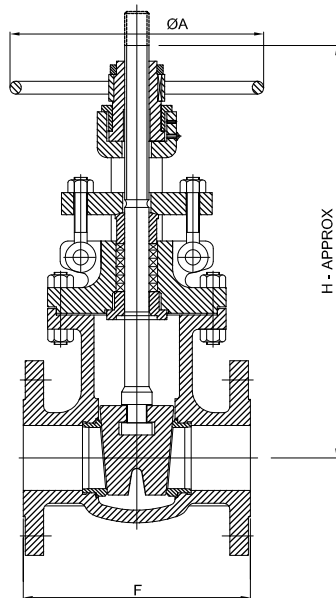
Note: 1. All Dimensions are in 'mm' otherwise stated.

2. Depend on Make and Model of Gear Box.

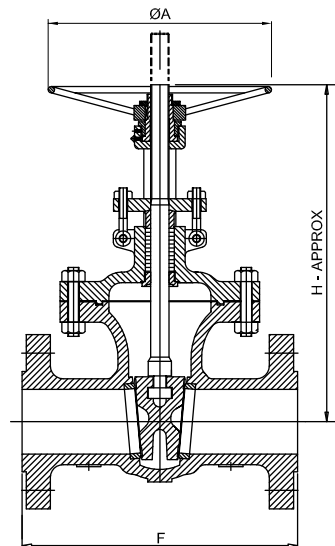
3. Please contact Design office for higher valve sizes.

General Outline Drawing

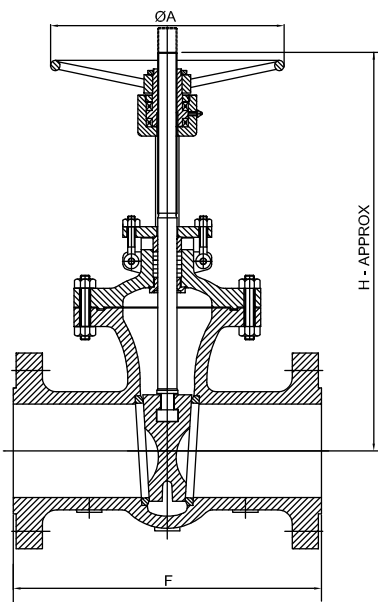
Class 600



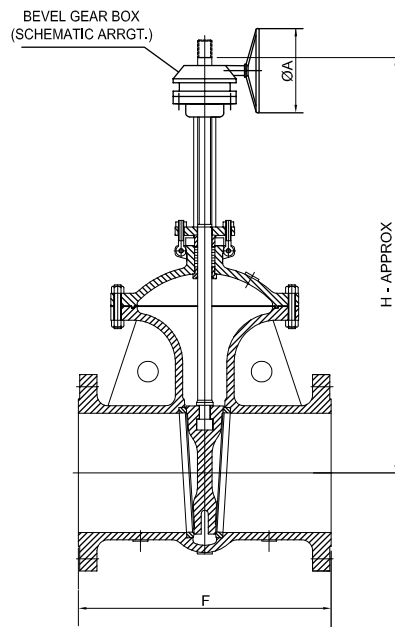
Size Range
50 mm



Size Range
65 mm to 150 mm



Size Range
200 mm



Size Range
250 mm to 600 mm

General Outline Dimensions

Class 600

Valve Size	50	65	80	100	125	150	200	250	300	350	400	450	500	600
F	292	330	356	432	508	559	660	787	838	889	991	1092	1194	1397
H Approx	370	450	480	530	635	635	870	1130	1320	1390	1800	1950	2055	2300
ØA	250	250	250	350	500	500	500	•	•	•	•	•	•	•

Note: 1. All Dimensions are in 'mm' otherwise stated.

2. Depend on Make and Model of Gear Box.

3. Please contact Design office for higher valve sizes.

Accessories:

- By Pass Arrangement.
- Electric Actuator.
- Closed Bevel Gear Box.
- Locking Arrangement.
- Chain & Chain Wheel Arrangement.
- Extension Shafting and Head Stock Arrangement.
- Butt Weld End Connection
- Companion Flanges and Fasteners.
- Pneumatic Cylinder Actuation
- Hydraulic Cylinder Actuation
- Position Indicator Arrangement
- Limit switch / Proximity switch arrangement for open / close position

Technical Specification

Design and Manufacturing Standard	API 600
Testing Standard	API 598
Size Range	50mm - 1200mm
Pressure Rating	CL-150 / 300 / 600.
Pressure temperature Ratings	ASME B16.34
Face-to-Face / End-to-End Dimension	ASME B16.10

Note: 1. For Higher Pressure Rating contact Design Office.

End Connection

Scope	Flange Drilling Standard
Standard Supply	ANSI B 16.5 CL-150 / 300 / 600

Note: 1. For valves in sizes larger than 24" (600 mm), the flange drilling shall be as per ASME B16.47
2. Other flange drilling standards are available as per requirement.

Hydrostatic test Pressures :

Pressure Rating	Hydrostatic Body (Kg/Cm ²)	Hydrostatic Seat (Kg/Cm ²)	Air Seat (Kg/Cm ²)
Class- 150	30	22	7
Class- 300	79	58	7
Class- 600	158	116	7

OUR GLOBAL PRESENCE



ABOUT KBL

Kirloskar Brothers Limited (KBL) is a world class pump manufacturing company with expertise in engineering and manufacture of systems for fluid management. Established in 1888 and incorporated in 1920, KBL is the flagship company of the \$ 2.1 billion Kirloskar Group. KBL, a market leader, provides complete fluid management solutions for large infrastructure projects in the areas of water supply, power plants, irrigation, oil & gas and marine & defence. We engineer and manufacture industrial, agriculture and domestic pumps, valves and hydro turbines.

In 2003, KBL acquired SPP Pumps, United Kingdom and established SPP INC, Atlanta, USA, as a wholly owned subsidiary of SPP, UK to expand its international presence. In 2007, Kirloskar Brothers International B.V., The Netherlands and Kirloskar Brothers (Thailand) Ltd., a wholly owned subsidiary in Thailand, were incorporated. In 2008, KBL incorporated Kirloskar Brothers Europe B.V. (Kirloskar Pompen B.V. since June 2014), a joint venture between Kirloskar International B.V. and Industrial Pump Group, The Netherlands. In 2010, KBL further consolidated its global position by acquiring Braybar Pumps, South Africa. SPP MENA was established in Egypt in 2012. In 2014, KBL acquired SyncroFlo Inc., the largest independent fabricator of commercial and municipal domestic water booster pumps.

To further strengthen its global position, in 2015, Kirloskar Pompen B.V. acquired Rodelta Pumps International, The Netherlands.

KBL has joint venture cooperation with Ebara, Japan since 1988 for the manufacture of API 610 standard pumps. Kirloskar Corrocoat Private Limited is a joint venture cooperation with Corrocoat, UK since 2006. KBL acquired The Kolhapur Steel Limited in 2007 and Hematic Motors in 2010.

KBL has eight manufacturing facilities in India at Kirloskarvadi, Dewas, Kondhapuri, Shirwal, Sanand, Kaniyur, Kolhapur and Karad. In addition, KBL has global manufacturing and packaging facilities in Egypt, South Africa, Thailand, The Netherlands, United Arab Emirates, United Kingdom and United States of America. KBL has 12,700 channel partners in India and 80 overseas and is supported by best-in-class network of Authorised Centres and Authorised Refurbishment Centres across the country.

All the manufacturing facilities at KBL are certified for ISO 9001, ISO 14001, ISO 50001, BS OHSAS 18001 and SA8000. In addition, the Kirloskarvadi plant is also certified for N & NPT Stamp. KBL's corporate office in Pune is certified for ISO 9001 & Sa8000.

The factories deploy Total Quality Management tools using European Foundation for Quality Management (EFQM) model. The Kirloskarvadi plant of KBL is a state-of-the-art integrated manufacturing facility having Asia's largest hydraulic research centre with testing facility upto 5000 kW and 50,000 m³/hr.

KBL is the ninth pump manufacturing company in the world to be accredited with the N and NPT certification by American Society of Mechanical Engineers (ASME).

Pumps | Valves | Hydro Turbines | Turnkey Projects

Water Resource Management | Irrigation | Power | Industry | Oil & Gas | Marine & Defence | Building & Construction | Distribution (Small Pumps) | Valves | Customer Service & Spares

KIRLOSKAR BROTHERS LIMITED

A Kirloskar Group Company

Registered Office: Udyog Bhavan, Tilak Road, Pune 411002. Tel: +91(20)24440770, Global Headquarters: "Yamuna", Survey No. 98/(3.7), Baner, Pune 411045. Tel: +91(20)27214444, Email: marketing@kbl.co.in, Website: www.kirloskarpumps.com, CIN No.: L29113PN1920PLC000670

OUR COMPANIES



Kirloskar Brothers Limited reserve the right to make alteration from time to time and such our products / equipments may differ from that detail in this publication. For latest information you may get in touch with our Regional Sales Offices.